

User Operation for the SK-1011-SQ

1. Using the User Codes:

- A. User codes operate the door (4-8 digits long).
Press **u u u u**
- B. The **#** key must also be pressed if the keypad is in manual-entry mode.
Press **u u u u #**

2. Using the Master Code:

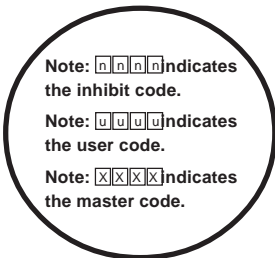
- The Master Code can be used to operate the door or program the keypad (4-8 digits long, see pt. 4 below).
- A. To operate the relay output:
Press **x x x x # 1**
- B. Inhibit/lockout code:
Press **x x x x # 2**

3. Using the Inhibit/Lockout Code:

- A. Inhibit/lockout codes temporarily lock the keypad. (4-8 digits long, see pg. 5 for more information)
Press **n n n n**
- B. The **#** key must be pressed also if the keypad is in manual-entry mode.
Press **n n n n #**

4. User Code and Master Code Programming:

- A. Enter the Master Code first, followed by the *****key
(If you forgot the master code, see page 7 for more information.)
Press **x x x x ***
- B. Change/Add/Delete User or Master Codes:
Press **1 00-99 (user ID) u u u u (user code, 4-8 digits) #**
- C. Deleting Individual Users:
Press **1 00-99 (user ID) #**
- D. Changing the Master Code:
Press **0 x x x x #**
- E. To exit programming mode, press the *****key.



SK-1011-SQ

Digital Access Keypad with 5A Relay Output

MANUAL



LIFETIME LIMITED WARRANTY This SECO-LARM product is warranted against defects in material and workmanship while used in normal service for the lifetime of the product. SECO-LARM's obligation is limited to the repair or replacement of any defective part if the unit is returned, transportation prepaid, to SECO-LARM. Under no circumstances will SECO-LARM be responsible for any costs or charges for removal, installation, or reinstallation. This Warranty is void if damage is caused by or attributed to acts of God, physical or electrical misuse or abuse, neglect, repair, or alteration, improper or abnormal usage, or faulty installation, or if for any other reason SECO-LARM determines that such equipment is not operating properly as a result of causes other than defects in material and workmanship. The sole obligation of SECO-LARM, and the purchaser's exclusive remedy, shall be limited to repair or replacement only, at SECO-LARM's option. In no event shall SECO-LARM be liable for any special, collateral, incidental, or consequential personal or property damages of any kind to the purchaser or anyone else. This lifetime limited warranty is for products sold and installed in the United States and Canada. For all other countries the warranty is 1 (one) year.

NOTICE: The information and specifications printed in this manual are current at the time of publication. However, the SECO-LARM policy is one of continual development and improvement. For this reason, SECO-LARM reserves the right to change specifications without notice. SECO-LARM is also not responsible for misprints or typographical errors. Copyright © 2010 SECO-LARM U.S.A., Inc. All rights reserved. This material may not be reproduced or copied, in whole or in part, without the written permission of SECO-LARM.

SECO-LARM® U.S.A., Inc.

16842 Millikan Avenue, Irvine, CA 92606
Tel: 800-662-0800 / 949-261-2999 Fax: 949-261-7326

Website: www.seco-larm.com
E-mail: sales@seco-larm.com

MISK-1011-SQ_092810.pmd

SECO-LARM U.S.A., Inc.

Also available from SECO-LARM:

Indoor Keypad



SK-1131-SQ

Outdoor Keypads



SK-1123-SQ



SK-1123-FQ



SK-2323-SDQ



SK-1323-SDQ

SLI® SECO-LARM®



Note: Model numbers that end with "Q" or that have a round green "Q" sticker signify RoHS-compliant products.

TABLE OF CONTENTS

Introduction 2

Unique features 2

Specifications 3

Wiring — sample installation 3

Preparing to program the keypad 4

Getting started 4

Programming notes 4

User programming 5

Buzzer and LED signals 5

LED indicators 5

Installer programming 6

User code worksheet 6

Reprogram the keypad (certain data) 7

Reprogram the keypad (complete data refresh) 7

Delete user 7

Master code bypass (DAP jumper) 7

User operation 8

INTRODUCTION

The SK-1011-SQ is the ideal keypad for office, commercial, and home security installations. This self-contained security keypad has a built-in 5-Amp relay output for maximum flexibility when connecting to electronic door strikes, door alarms, door chimes, alarm control panels, or other security and access control applications. The output can be programmed for timed (1-999 seconds) or ON/OFF operation.

The SK-1011-SQ output can be programmed for up to 100 4-digit to 8-digit user codes. All programming and code information is stored in non-volatile EEPROM memory to protect the data in case of power loss.

UNIQUE FEATURES

- **12-24V AC/DC universal power** – No programming or jumpers needed.
- **Relay output inhibit control / lockout mode** -- The relay output is typically used for a door strike. If the keypad is set to the "inhibited" mode, the relay output will not operate. This increases the security of the protected premises during the time it is not expected to be occupied, such as during evening or weekend hours.
- **Auto or manual code entry checking:**
 - o Auto code entry checking mode – When all the user codes have the same number of digits, the keypad will activate automatically when the code is entered. There is no need to press the "#" key. This is convenient for the users.
 - o Manual code entry checking mode – The user codes can vary in number of digits, and the user must press the "#" key when finished entering the code. This increases security.
- **Easily delete user codes** -- The administrator can delete individual codes without knowing them.

REPROGRAM THE KEYPAD (CERTAIN DATA)

To change certain data in the keypad (such as to delete or change user codes), do the following:

1. Enter program mode by keying in the master code and the [*] key:
 [X][X][X][X] [*] The keypad is now in the programming mode.
2. Make any changes to the keypad's data as noted in the various programming instructions.
3. Exit the programming mode by pressing the [*] key.

REPROGRAM THE KEYPAD (COMPLETE DATA REFRESH)

Sometimes it may be necessary to completely erase all current data (except the master code) and input new data. An example of when this may be necessary is the sale of a protected building to a new owner. In such a situation, do the following:

1. Enter the programming mode by keying in the master code and the [*] key, then enter the refresh code, [8][9][0][1] and the [#] key:
 [X][X][X][X] [*] The keypad is now in the programming mode.
 [8][9][0][1] [#] All old data is cleared, and the keypad is ready for new data.*
 NOTE: The master code does NOT change.
2. Use the programming instructions on page 5 to enter the keypad's data.
3. Exit the programming mode by pressing the [*] key.

DELETE USER

To delete a user who has left the company or who no longer has authority to enter the protected area:

1. Enter program mode by keying in the master code and the [*] key:
 [X][X][X][X] [*] The keypad is now in the programming mode.
2. Enter the output # and user ID number and the [#] key:
 To delete user ID 05, press [1][0][5][#]
3. Exit the programming mode by pressing the [*] key

MASTER CODE BYPASS (DAP jumper)

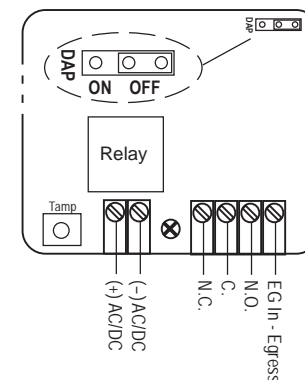
If the master code is forgotten or does not work, use the DAP (direct access to program) jumper to override the forgotten code and permit direct entry into the programming mode as follows:

1. Disconnect the power supply.
2. Move the DAP jumper from OFF to ON.
3. Reconnect the power supply. The keypad will start beeping.
4. Move the DAP jumper back to the OFF position. The keypad will stop beeping as soon as the jumper is removed.
5. The keypad is now in the programming mode, ready to receive new programming data.
6. Re-program the keypad as shown starting on page 5.

NOTE – A new master code may be programmed to replace the one that was lost or forgotten. Note that the sequence for replacing the old master code is as follows:

Option*	Key in new code	Confirm	Exit
[0]	[X][X][X][X]	[#]	[*]

*Zero "0" is for new master code only; see page 5 or 6 for other options.



INSTALLER PROGRAMMING

These functions should only be used by professional installers, as incorrect entries can disable the entire keypad function.

Enter Programming Mode (DEFAULT: 00000)

Enter Master code	Confirm	Function
XXXXX*	#	Enter into programming mode

*Key in the Master Code.
Note: For first-time use, Master code is 00000

Data Refresh

Option	Confirm	Function
8901	#	Clears all previously stored data.

Configure Relay Outputs (DEFAULT: Momentary, 1-sec. output)

Option	Output time	Confirm	Function
40	1 to 999	#	Relay momentary mode, from 1 to 999 seconds
41		#	Relay shunt mode (ON/OFF)

Relay Output Inhibit Control (lockout mode) (DEFAULT: Momentary, 1-sec. output)

Option	Code Entry	Confirm	Function
50	1 to 999	#	Lockout for 1 to 999 seconds
51		#	Lockout shunt mode (ON/OFF)

Wrong Code Lockout (DEFAULT: 10 tries / 30 seconds)

Option	# of tries	Confirm	Function
70		#	After 10 successive wrong codes, 30-second lockout
72	5 to 10	#	After 5 to 10 wrong codes, 15-min. lockout - Can reset with Master Code
7600		#	None of the above

Door Unlocked Announcer (DEFAULT: On)

Option	Code entry	Confirm	Function
81	1	#	1-sec. beep notifies the user to open the door when the output relay is activated. The beep is disabled, replaced by 2 short beeps for valid user codes.
	0	#	

User Code Entry Mode (DEFAULT: Manual)

Option	Code entry	Confirm	Function
82	1	#	Auto Entry Mode is selected. The # key that follows the user code is NOT required in code entry. The User Codes MUST be set to the same digit length as the Master Code.
	0	#	

Keypress Beeps (DEFAULT: On)

Option	Code entry	Confirm	Function
83	1	#	Keypad beeps when a key is pressed. Silent operation – keypad does not beep when a key is pressed.
	0	#	

LED Flashes in Standby Mode (DEFAULT: On)

Option	Code entry	Confirm	Function
84	1	#	Amber LED ON during standby mode. Amber LED OFF during standby mode.
	0	#	

Exit Programming Mode

Confirm	Function
*	Exits programming mode, returns keypad to normal operations

USER CODE WORKSHEET

To print out a blank worksheet where all user codes can be recorded, please visit www.seco-larm.com and select the Model #, "SK-1011-SQ" in the drop down menu for the burglar section. On the product page click on "User Code Worksheet," which will load the .PDF.



SPECIFICATIONS:

Power:

- Operation voltage – 12-24 Volts AC/DC. No jumper needed to set voltage.
- Stand-by current drain – 10mA @12VDC.
- Active current drain (press keypad key) – Under 30mA.
- Active current drain (relay activated) – Under 80mA.

Outputs:

- Relay output – 5A @ 28VDC, Form "C", N.O./C./N.C., programmable for 1 to 999 second timed output or shunt (start/stop) output. Three terminals.
- Tamper output – 50Ma @12VDC, N.C. output. Connect to tamper circuit of alarm control panel. Two terminals.

Inputs:

- Power – 12-24Volts AC/DC. Two terminals.
- Egress – N.O., ground (-). Single terminal.

Code Operation:

- Up to 100 user codes, 10,000 possible user code combinations.
- Max. 10 seconds to enter each digit.
- Max. 30 seconds to enter each code.

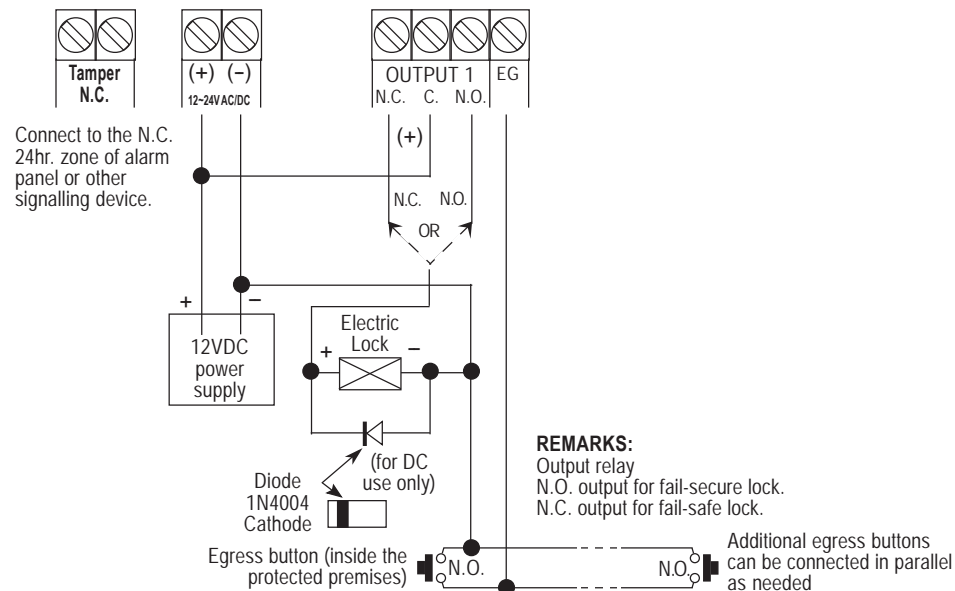
Dimensions (keypad with back box):

- 4-5/8" x 2-7/8" x 1-7/8" (117 x 74 x 48 mm).

Weight (keypad with back box):

- 6.3 oz. (180 grams).

WIRING (SAMPLE INSTALLATION):



PREPARING TO PROGRAM THE KEYPAD

Before programing the SK-1011-SQ, you will need to first determine the following information:

1. The master code -- Allows the system administrator to program or operate the keypad.
2. The user code or codes -- Allows users to use the keypad's functions.
3. The inhibit/lockout code -- When inputted, prevents the relay from operating even if a correct user code is inputted.
4. Configuration of the relay output -- Determine whether the output should operate from 1 to 999 seconds and then turn OFF (momentary mode), or turns ON/OFF via the code (shunt mode).
5. Result of improper code entry -- Choose between a 30-second code lockout, duress output, a 15-minute code lockout, or no reaction.

GETTING STARTED

A master code is required to program the keypad. The default master code is set to "0000." To change the master code, go to page 7 and follow the instructions for "MASTER CODE BYPASS (DAP jumper)."

Once the master code is set, review the programming options and decide exactly what the keypad will do, including the format of the user access codes as well as how the keypad responds via the relay output, buzzer and LEDs. Note that in every case the basic steps for programming are:

1. Enter the master code, followed by the [*] key, which puts you in programming mode.
2. Enter the programming codes defined in the various sections as needed, followed by the [#] key.
3. Enter the [*] key again to exit the programming mode.

Note: A rapid string of 5 beeps and/or 5 LED flashes indicates an error, while 2 beeps indicates that the entry has been accepted.

PROGRAMMING NOTES

1. **Master code:** The SK-1011-SQ comes pre-programmed with the Master Code set at 0000. Additional codes and/or data should be programmed at the owner's discretion. However, to ensure security, program a new personal Master Code to replace the factory-set Master Code as soon as possible.
2. **Factory defaults:**

Master code	0000
User code length	4 to 8 digits
Main relay output time	1 second
Wrong code lockout	10 tries / 30 second
Output activation announcer	ON
User code entry mode	Manual
Keypress beep	ON
Silent operation	OFF

3. **Code operation:** User codes are each four to eight digits and are assigned to two-digit IDs. If all the codes have the same number of digits, the keypad can be programmed for whether the [#] key must be used or not after entering the code (see programming, option 820 or 821, page 6).
The administrator can easily delete the code of one user via the two-digit ID, if the user is no longer authorized to enter a protected area, without the need to teach the new code to all the other users.

USER PROGRAMMING

Enter Programming Mode

Enter Master code	Confirm	Function
[X][X][X][X]	[*]	Enter into programming mode

Note: [X][X][X][X] indicates the Master code.
Note: For first-time use, Master code is "0000".

Adding Or Changing Master And User Codes

Op ion	User ID	Access code	Confirm	Function
[0]		4 to 8 digits	[#]	Master Code
[1]	00 to 99	4 to 8 digits	[#]	Add or change up to 100 User Codes

Note: No user code can be the same code as the master code or the inhibit/lockout code.

Delete A User

To delete a user who has left the company or who no longer has authority to enter the protected area:

1. Enter Programming Mode:

Enter Master code	Confirm	Function
[X][X][X][X]	[*]	Enter into programming mode

2. Delete code

Option	User ID	Confirm	Function
[1]	00 to 99	[#]	Deletes specific user ID



EXIT THE PROGRAMMING MODE BY PRESSING THE [*] KEY

Set Inhibit / Lockout Code (see page 2)

1. Enter Programming Mode:

Enter Master code	Confirm	Function
[X][X][X][X]	[*]	Enter into programming mode

2. Set code

Option	Access code	Confirm	Function
[2][1]	4 to 8 digits	[#]	Sets inhibit/lockout code

Note: to set lockout duration, see page 6

BUZZER AND LED SIGNALS

The keypad's built-in buzzer and the auxiliary red/green LED can signal the following:

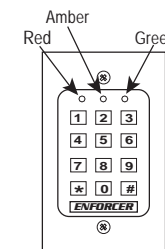
Status	Buzzer Tones*	Amber LED Flashes
1. In programming mode	N/A	ON
2. Successful key entry	1 beep	1 flash
3. Successful code entry	2 beeps	2 flashes
4. Unsuccessful code entry	5 beeps	5 flashes
5. DAP jumper not replaced	Continuous beeps	Continuous flashes
6. In standby mode	N/A	1 flash in 2-sec. intervals
7. Output relay activated	1-sec. long beep**	N/A

NOTE: * The buzzer can be disabled through programming option 83, ref. pg. 6.

** The output relay activated beep can be disabled through programming option 81, ref. pg. 6.

LED INDICATORS

- Red LED -- Indicates that the door lock output has been inhibited.
- Amber LED -- Flashes to show the keypad status (see above).
- Green LED -- Lights while any output is activated.



SK-1011-SQ - User Control Chart

Relay Output #1: Output: Shunt / Momentary (___secs.) Programmed For

USER ID	User Name	Access Code
00	SAMPLE - John Doe	54321
00		
01		
02		
03		
04		
05		
06		
07		
08		
09		
10		
11		
12		
13		
14		
15		
16		
17		
18		
19		
20		
21		
22		
23		
24		
25		
26		
27		
28		
29		
30		
31		
32		
33		
34		
35		
36		
37		
38		
39		
40		
41		
42		
43		
44		
45		
46		
47		
48		
49		

USER ID	User Name	Access Code
00	SAMPLE - John Doe	54321
50		
51		
52		
53		
54		
55		
56		
57		
58		
59		
60		
61		
62		
63		
64		
65		
66		
67		
68		
69		
70		
71		
72		
73		
74		
75		
76		
77		
78		
79		
80		
81		
82		
83		
84		
85		
86		
87		
88		
89		
90		
91		
92		
93		
94		
95		
96		
97		
98		
99		

Note: copy this sheet to use for your installations.