

Smoke Detector Reset

How Smoke Detector Reset works:

When the programmed fire zone sees a short an alarm will occur.

The first "off" sequence will silence the panel alarm.

The second "off" sequence will cause the panel to drop power to the smokes and reset them.

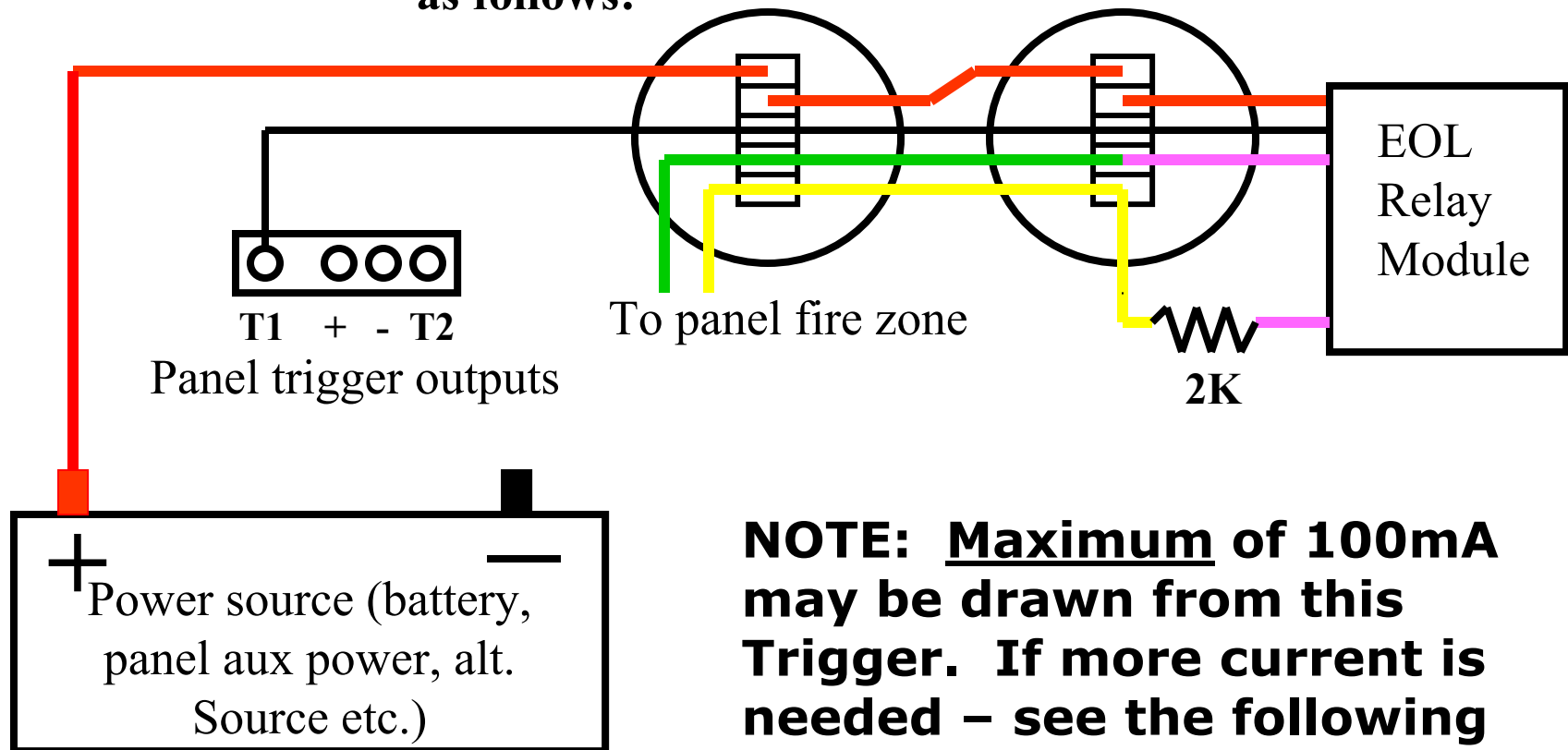
The pages that follow will show several options to accomplish this. (more possibilities exist)

NOTE: When powering 4-wire smokes with an Alt. Source of power the negative must be made common to panel negative

Smoke Detector Reset

Using on-board trigger to power smokes

Program trigger 1 as actively low ("1") in *79
Program trigger 1 to activate on ZT 54 in *80 and wire as follows:



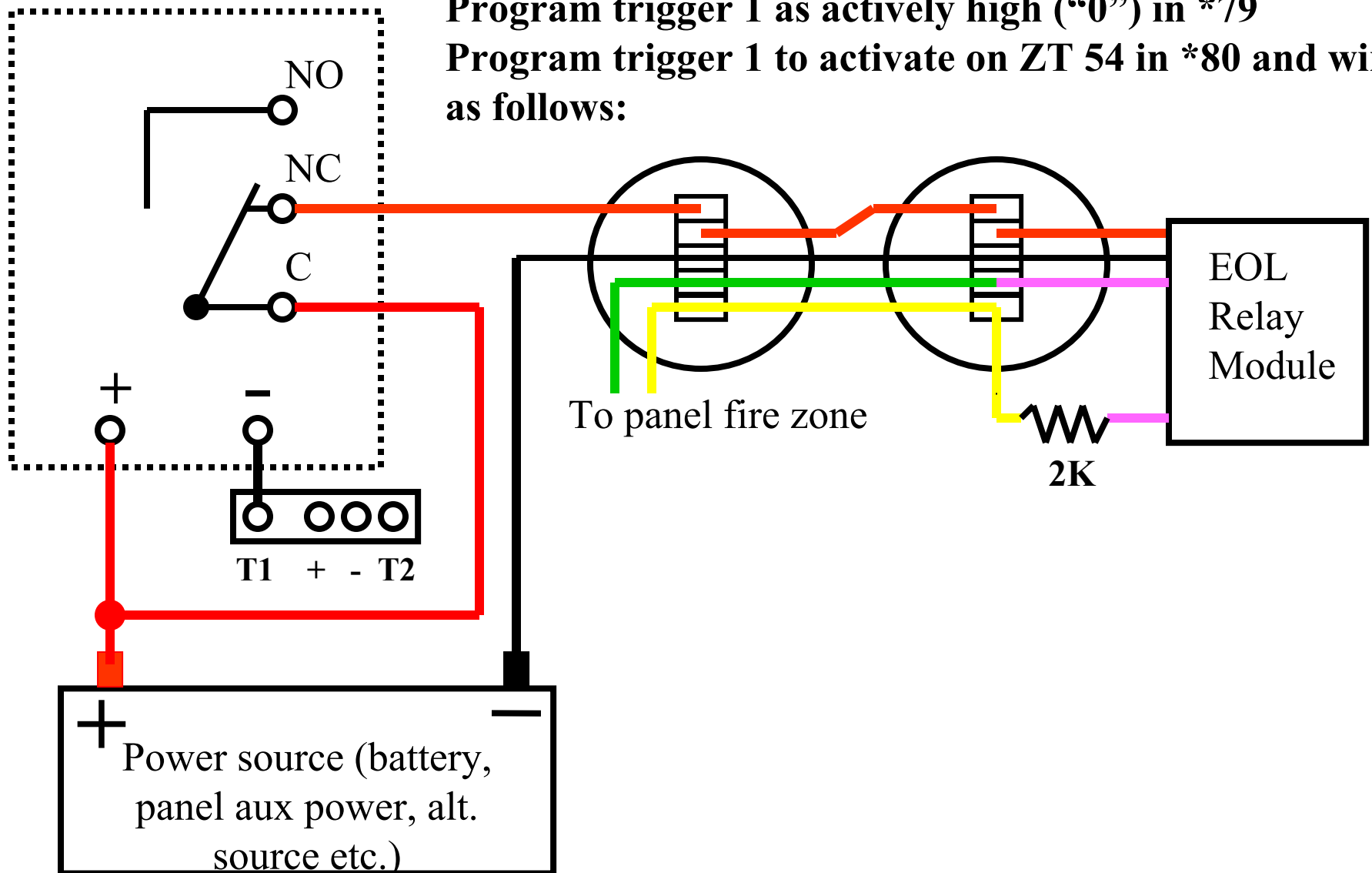
NOTE: Maximum of 100mA may be drawn from this Trigger. If more current is needed – see the following pages.

Smoke Detector Reset

Using Altronix® style relay with trigger

Program trigger 1 as actively high (“0”) in *79

Program trigger 1 to activate on ZT 54 in *80 and wire as follows:



Smoke Detector Reset

Using 4204 Relay Board

- In *79 Program output #1 to ECP address 12 / relay #1
- In *80 Program output function #1 to activate on ZT 54
- Activate output #1

