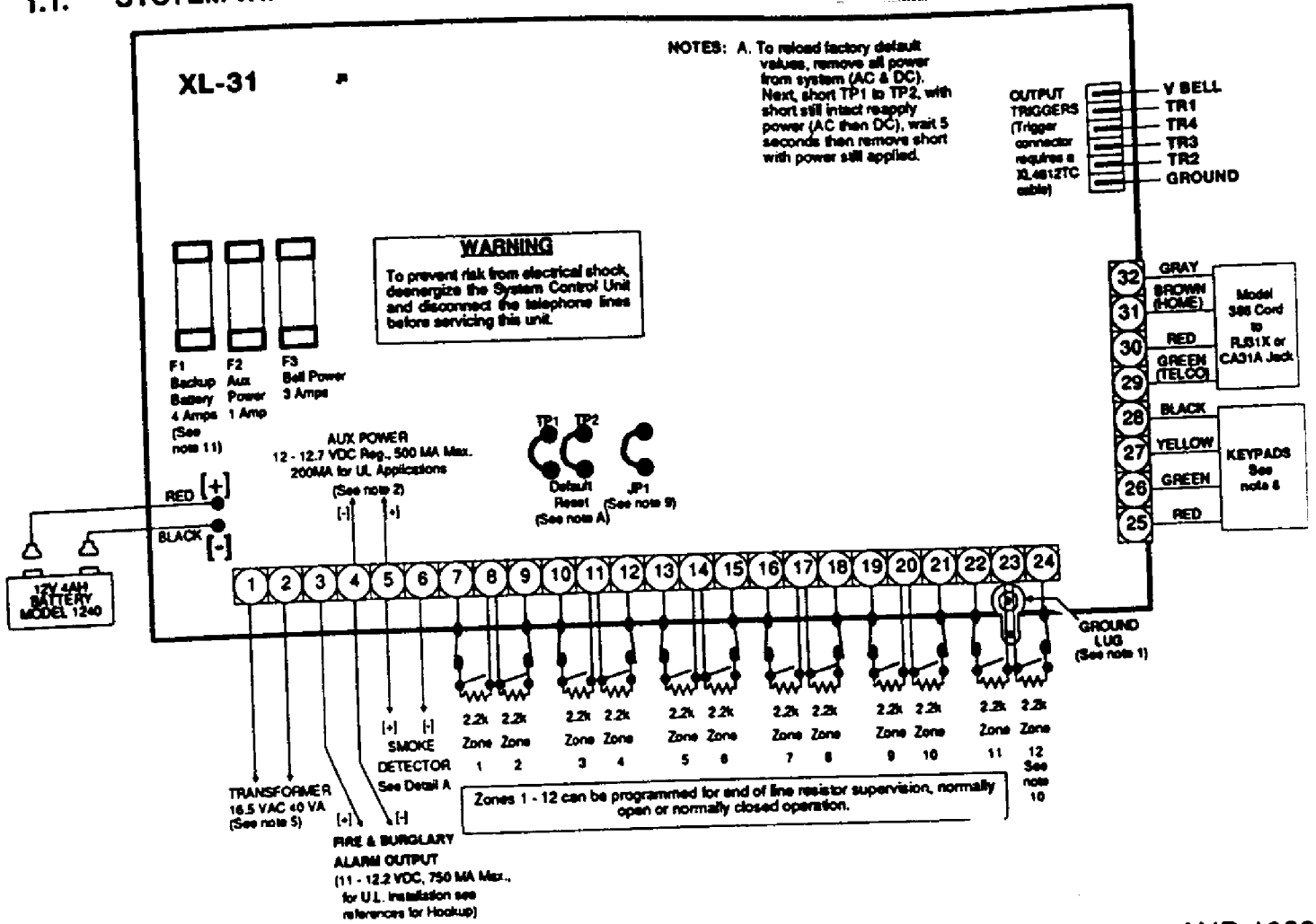


1.1. SYSTEM WIRING DIAGRAM



CONNECTIONS FOR HOUSEHOLD FIRE/BURGLARY ALARM SYSTEMS UL 985 AND 1023

NOTES:

- 1- Connect to a grounded cold water pipe, 1/2 in. at 15 feet.
- 2- Total AUX. power available is 500 mA (200 mA for UL installations), which includes keypad power.
- 3- Limited energy cable must be used.
- 4- System must be tested on a weekly basis. For information refer to references.
- 5- Do not connect the transformer to a receptacle controlled by a switch.
- 6- Installation of equipment and wiring methods are required to be in accordance with the National Electrician's code and ANS/NFPA no 74. More information may be obtained from the NFPA, Battery March Park, Quincy, MA 02269
- 7- Battery capacity for Emergency Standby is a minimum of 4 hours. Under normal circumstances this battery will last 3 years, use only exact replacements.
- 8- Maximum of four keypads. Keypads can consist of the following: XL4612 RM, XL4612 SM, 7006 and 7015.
CAUTION: XL4612 RM and XL4612 SM keypads CANNOT be used on the same system with any other type of keypad
- 9- Cut this jumper if trigger #3 desired and Zone 12 is used for standard loop response.
- 10- Zone 12 should not be programmed for fast loop response (approx. 8mSec) for UL installations.
- 11- Non-replaceable fuse, return to manufacturer if blown, do not solder in field.

FCC Registration Number AE398E-69554 AL-E Ringer Equivalence

References: XL-31 Hookup and Installation Instructions N9340 and Owners Manual N9339

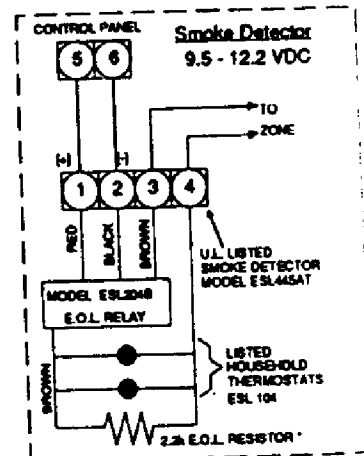
WARNING

THIS UNIT INCLUDES AN ALARM VERIFICATION FEATURE THAT WILL RESULT IN A DELAY OF THE SYSTEM ALARM SIGNAL FROM THE INDICATED CIRCUITS. THE TOTAL DELAY (CONTROL UNIT PLUS SMOKE DETECTOR) SHALL NOT EXCEED 60 SECONDS. NO OTHER INITIATING DEVICES SHALL BE CONNECTED TO THESE CIRCUITS UNLESS APPROVED BY THE LOCAL AUTHORITY HAVING JURISDICTION

CIRCUIT (ZONE)	CONTROL UNIT DELAY - SEC.	SMOKE DETECTOR MODEL DELAY - SEC.

Product covered under U.S. Patent #4,791,658

Detail A



UL INSTALLATIONS REQUIRE LISTED END OF LINE DEVICE, USE RESISTOR FROM EOL22 KIT, LOOK FOR LISTING MARK ON ITEM.

N9338 11/93